

DOLOMITE ALPHA BASIC

WHEN EXTRA SUPPORT IS REQUIRED

FULLY ADJUSTABLE, ERGONOMIC FOREARM / GUTTER

THE FOLLOWING ADJUSTMENTS CAN BE MADE:

- Height.
- Inwards angling of arm rests.
- Distance between forearm supports.
- Rotation of forearm supports.
- Handle angle – inwards adjustment, fore-arm support – handle.



EASILY OPERATED DABS II BRAKES

LONG BRAKE HANDLE AND BRAKE STOPPER

Provides good leverage, simple to brake even with weak hand strength.

SHORT DISTANCE TO PARK-POSITION

Reduces risk of losing balance.

V-SHAPED BRAKE STOPPER

Provides direct effect on non-slip brakes.

FIVE YEAR WARRANTY ON BRAKES

Reinforced with cable housing, stainless steel brake stopper.

COMFORTABLE, ROUNDED FOREARM SUPPORT

With recess for elbow. Provides solid support and assistance when it is the forearms rather than the hands that are steering the walker.

SIMPLE HEIGHT ADJUSTMENT

A simple line marking makes positioning easy.

FLIP-UP, FOLDABLE SEAT

Gives the user the room to stride out. Makes it easier to reach and access items on worktops.

NEATLY SHAPED, ROBUST FRAME

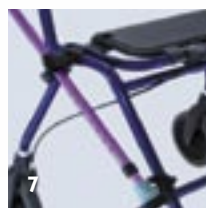
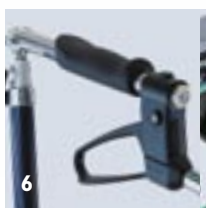
EFFICIENT WHEELS

SLII- wheels with frictional surface that produces direct braking effect, even on shiny floors. Rolls easily and comfortably.



* Dolomite Alpha Basic and Alpha Advanced are supplied complete with basket with handle as standard.

ACCESSORIES for the Dolomite Alpha Basic and Alpha Advanced for technical data / specification please see overleaf



1. Platform support unit Product Code: 13018 **2. Basket with handle** Product Code: 12530-15 **3. Tray** Product Code: 70311

4. Kerb climber Product Code: 12560-21 **5. One-hand brake** Product Code: 12514R (Right) 12514L (Left)

6. Adapt-handle with one-hand brake Product Code: 12612R (Right) 12612L (Left) **7. Cane Holder** Product Code: 12606

8. Slow-down brakes Product Code: 13041-21 (pair) **9. Brake booster** Product Code: 12651

10. Oxygen tank holder Product Code: 12682-25 fits all cylinders.

DOLOMITE ALPHA ADVANCED

WHEN ADVANCED SUPPORT IS REQUIRED

Dolomite Alpha Advanced is unique in the opportunities it presents for multi-directional adjustments due to the ball-and-socket construction. The angle of the handles can be set as required as can the brakes operating direction.

FULLY ADJUSTABLE, ERGONOMIC FOREARM / GUTTER

THE FOLLOWING ADJUSTMENTS CAN BE MADE:

- Height
- Inwards angling of arm rests
- Distance between forearm supports
- Rotation of forearm supports
- Handle angle – inwards adjustment, fore-arm support – handle

EASILY OPERATED DABS II BRAKES

LONG BRAKE HANDLE AND BRAKE STOPPER

Provides good leverage, simple to brake even with weak hand strength.

SHORT DISTANCE TO PARK-POSITION

Reduces risk of losing balance.

V-SHAPED BRAKE STOPPER

Provides direct effect on non-slip brakes.

L-SHAPED CABLE GROOVE

Easy to install cables with split ends.

FIVE YEAR WARRANTY ON BRAKES

Reinforced with cable housing, stainless steel brake stopper.

COMFORTABLE, ROUNDED FOREARM SUPPORT

With recess for elbow. Provides solid support and assistance when it is the forearms rather than the hands that are steering the walker.

HEIGHT ADJUSTMENT OF BRAKES

Provides the opportunity to set the necessary braking power according to hand movement.

SIMPLE HEIGHT ADJUSTMENT

A simple line marking makes positioning easy.

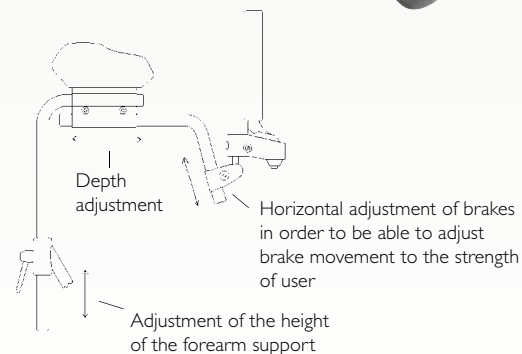
FLIP-UP, FOLDABLE SEAT

Gives the user the room to stride out. Makes it easier to reach and access items on worktops.

NEATLY SHAPED, ROBUST FRAME

EFFICIENT WHEELS

SLII- wheels with frictional surface that produces direct braking effect, even on shiny floors. Rolls easily and comfortably.

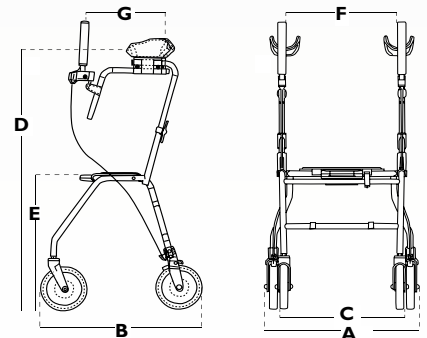
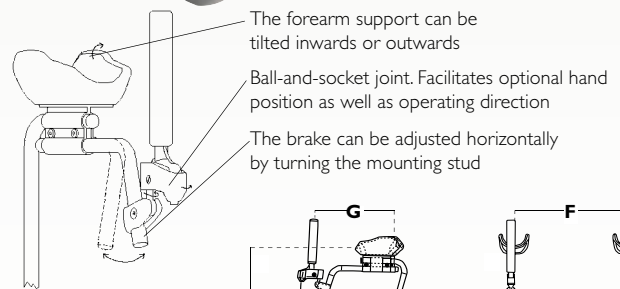


The brake can be angled by positioning the pipe at an angle.

Adjustment of forearm support tray laterally or at an angle



Inward angling of the entire forearm support



WEIGHT & DIMENSIONS CM/KG

TECHNICAL DATA:

WALKER MODEL	PRODUCT CODE	OVERALL WIDTH (A)	OVERALL LENGTH (B)	BETWEEN WHEELS (C)	HANDLE (D) MIN	HANDLE (D) MAX	SEAT HEIGHT (E)	BETWEEN HANDLES (F)	WEIGHT	MAX USER WEIGHT
ALPHA ADV	12220	65.0 cm	70.0 cm	51.0 cm	95.0 cm	124.0 cm	62.0 cm	34.5 cm	11.4 Kg	125 Kg
ALPHA BASIC	12230	65.0 cm	70.0 cm	51.0 cm	95.0 cm	124.0 cm	62.0 cm	34.5 cm	10.9 Kg	125 Kg



Nordic Care Services Ltd

Becket Lodge, Harbledown Park, Canterbury, Kent CT2 8NR

Tel: +44 (0) 1227 479293 Fax: +44 (0) 1227 477958

Email: info@walkeze.co.uk Web: www.walkeze.co.uk

LoCall: 08450-NORDIC LoCall: 08450-667342

