

DOLOMITE *FUTURA*

THE UNIVERSAL WALKER



EASILY OPERATED DABS II BRAKES

LONG BRAKE HANDLE AND BRAKE STOPPER

Provides good leverage, simple to brake even with weak hand strength.

SHORT DISTANCE TO PARK-POSITION
Reduces risk of losing balance.

V-SHAPED BRAKE STOPPER

Provides direct effect on non-slip brakes.

L-SHAPED CABLE GROOVE

Easy to install cables with split ends.

FIVE YEAR WARRANTY ON BRAKES

Reinforced with cable housing, stainless steel brake stopper.

EFFICIENT WHEELS

SLII- wheels with frictional surface that produces direct braking effect, even on shiny floors. Rolls easily and comfortably.

FULLY ADJUSTABLE, ERGONOMIC HANDLE

Easily adjusted handle that can be positioned at exactly the right height to compensate for different arm lengths, and at exactly the right angle to follow the body's natural motion pattern. Provides pleasant pressure-relief and prevents numbness in the hands.

FLIP-UP, FOLDABLE SEAT

Gives the user the room to stride out. Makes it easier to reach and access items on worktops.

SAFE WHEN FOLDING

Folding mechanism positioned high up so to prevent the user losing balance. A magnetic safety latch prevents the walker being folded accidentally.

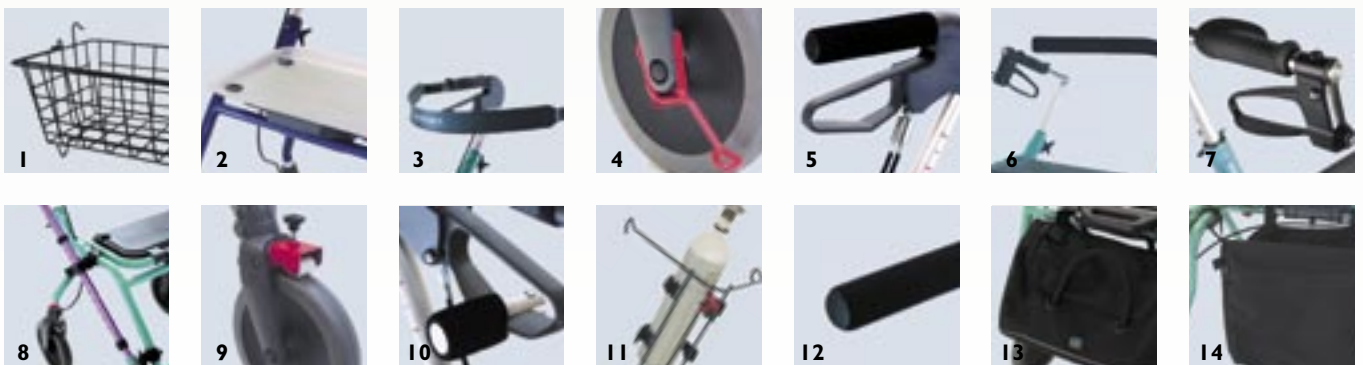
AVAILABLE IN FOUR SEAT HEIGHTS TO SUIT BOTH SHORT AND TALL PEOPLE

680, 600, 520 and 450mm.

* Dolomite Futura and Symphony are supplied complete with basket and back strap as standard.

ACCESSORIES

for the Dolomite Futura and Dolomite Symphony
for technical data / specification please see overleaf



1. Basket with handle Product Code: 12530-15 FUTURA / SYMPHONY 600, 520.

Product Code: 12582-15 FUTURA 680. Product Code: 12538-15 FUTURA / SYMPHONY 450

2. Tray Product Code: 70311 **3. Back strap** Product Code: 12600 **4. Kerb climber** Product Code: 12560-21

5. One-hand brake Product Code: 12507-R (right). Product Code: 12507-L (left)

6. HP-handle set Product Code: 12611-R; HP right, one-hand brake left. Product Code: 12611-L; HP left, one-hand brake right (pair)

7. Adapt-handle set Product Code: 12613 (standard brakes – pair) **8. Cane holder** Product Code: 12606 (piece)

9. Slow-down brakes Product Code: 13041-21 (pair). Product Code: 12535-21 if the walker was manufactured before May -00)

10. Brake booster Product Code: 12651 (piece) **11. Oxygen tank holder** Product Code: 12682-25 Fits all cylinders. **12. Soft grip** Product Code: 12593 (pair)

13. Bag Product Code: 40126 **14. Hanging bag** Product Code: 12523 **15. Screw instead of knob (not shown)** Product Code: 60140

DOLOMITE SYMPHONY

THE EXTRA LIGHT, ADAPTABLE ALUMINIUM WALKER



EASILY OPERATED DABS II BRAKES

LONG BRAKE HANDLE AND BRAKE STOPPER

Provides good leverage, simple to brake even with weak hand strength.

SHORT DISTANCE TO PARK-POSITION
Reduces risk of losing balance.

V-SHAPED BRAKE STOPPER

Provides direct effect on non-slip brakes.

L-SHAPED CABLE GROOVE

Easy to install cables with split ends.

FIVE YEAR WARRANTY ON BRAKES

Reinforced with cable housing, stainless steel brake stopper.

EFFICIENT WHEELS

SLIII- wheels with frictional surface that produces direct braking effect, even on shiny floors. Rolls easily and comfortably.

FULLY ADJUSTABLE, ERGONOMIC HANDLE

Easily adjusted handle that can be positioned at exactly the right height to compensate for different arm lengths, and at exactly the right angle to follow the body's natural motion pattern. Provides pleasant pressure-relief and prevents numbness in the hands.

FLIP-UP, FOLDABLE SEAT

Gives the user the room to stride out. Makes it easier to reach and access items on worktops.

SAFE WHEN FOLDING

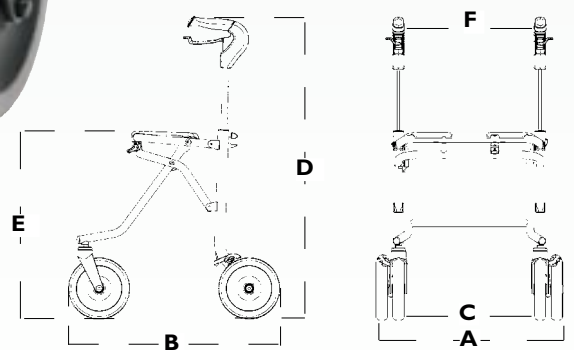
Easy to understand and use the folding mechanism. The walker can be folded into a compact transport position. It is easy to handle as it remains locked in the folded position.

ALUMINIUM FRAME

Provides a low product weight and makes it easy to manoeuvre the walker. Its rustproof properties also ensure that the walker remains good looking come rain or shine.



FOR A FULL RANGE OF ACCESSORIES
PLEASE SEE OVERLEAF



WEIGHT & DIMENSIONS CM/KG

TECHNICAL DATA:

WALKER MODEL	PRODUCT CODE	OVERALL WIDTH (A)	OVERALL LENGTH (B)	BETWEEN WHEELS (C)	HANDLE (D) MIN	HANDLE (D) MAX	SEAT HEIGHT (E)	BETWEEN HANDLES (F)	WEIGHT	MAX USER WEIGHT
FUTURA 680	12076	65.0 cm	78.0 cm	51.0 cm	86.5 cm	101.5 cm	70.5 cm	37.0 cm	8.2 Kg	125 Kg
FUTURA 600	12070	60.0 cm	70.0 cm	46.0 cm	78.5 cm	93.5 cm	62.0 cm	37.0 cm	7.8 Kg	125 Kg
FUTURA 520	12072	60.0 cm	62.0 cm	46.0 cm	70.5 cm	85.5 cm	54.5 cm	37.0 cm	7.6 Kg	125 Kg
FUTURA 450	12074	60.0 cm	59.0 cm	46.0 cm	63.5 cm	78.5 cm	47.5 cm	37.0 cm	7.4 Kg	125 Kg
SYMPHONY 600	12160	60.0 cm	70.0 cm	46.0 cm	78.5 cm	93.5 cm	62.0 cm	37.0 cm	6.8 Kg	100 Kg
SYMPHONY 520	12161	60.0 cm	62.0 cm	46.0 cm	70.5 cm	85.5 cm	54.5 cm	37.0 cm	6.6 Kg	100 Kg
SYMPHONY 450	12162	60.0 cm	59.0 cm	46.0 cm	63.5 cm	78.5 cm	47.5 cm	37.0 cm	6.1 Kg	100 Kg



Nordic Care Services Ltd

Becket Lodge, Harbledown Park, Canterbury, Kent CT2 8NR

Tel: +44 (0) 1227 479293 Fax: +44 (0) 1227 477958

Email: info@walkeze.co.uk Web: www.walkeze.co.uk

LoCall: 08450-NORDIC LoCall: 08450-667342

