

DOLOMITE MAXI

MAXIMUM WIDTH, OPTIMUM STABILITY



EASILY OPERATED DABS II BRAKES

LONG BRAKE HANDLE AND BRAKE STOPPER

Provides good leverage, simple to brake even with weak hand strength.

SHORT DISTANCE TO PARK-POSITION

Reduces risk of losing balance.

V-SHAPED BRAKE STOPPER

Provides direct effect on non-slip brakes.

L-SHAPED CABLE GROOVE

Easy to install cables with split ends.

FIVE YEAR WARRANTY ON BRAKES

Reinforced with cable housing, stainless steel brake stopper.

FULLY ADJUSTABLE, ERGONOMIC HANDLE

Easily adjusted handle that can be positioned at exactly the right height to compensate for different arm lengths, and at exactly the right angle to follow the body's natural motion pattern. Provides pleasant pressure-relief and prevents numbness in the hands.

FLIP-UP, FOLDABLE SEAT

Gives the user the room to stride out. Makes it easier to reach and access items on worktops

SAFE WHEN FOLDING

Folding mechanism positioned high up so to prevent the user losing balance. A magnetic safety latch prevents the walker being folded accidentally.

AVAILABLE IN TWO SEAT HEIGHTS

650 & 550mm.

EFFICIENT WHEELS

SLII- wheels with frictional surface that produces direct braking effect, even on shiny floors. Rolls easily and comfortably.

Extra width for the larger person.

* Dolomite Maxi and HP are supplied complete with basket and back strap as standard.

ACCESSORIES for the Dolomite Maxi and Dolomite HP for technical data / specification please see overleaf



1. Basket with handle Product Code: 12530-15 MAXI 650 & MAXI 550

2. Extended back strap Product Code: 12605 **3. Kerb climber** Product Code: 12560-21

4. Slow-down brake Product Code: 13041-21 (pair). Product Code: 12535-21 if the walker was manufactured before May -00)

5. Cane holder Product Code: 12606 (piece) **6. Oxygen tank holder** Product Code: 12682-25 **7. Brake booster** Product Code: 12651

8. One-hand brake Product Code: 12505-R (Right) 12505-L (left) **9. Soft grip** Product Code: 12677 (pair) **10. Bag** Product Code: 40126

DOLOMITE HP

A SPECIAL WALKER FOR HEMIPLEGICS

FULLY ADJUSTABLE, ERGONOMIC HANDLE

Easily adjusted handle that can be positioned at exactly the right height to compensate for different arm lengths, and at exactly the right angle to follow the body's natural motion pattern. Provides pleasant pressure-relief and prevents numbness in the hands.

MULTI-ADAPT-HANDLE

The active side will apply brakes to both sides of the walker. The handle can be both horizontally and vertically adjusted.



EASILY OPERATED DABS II BRAKES

LONG BRAKE HANDLE AND BRAKE STOPPER

Provides good leverage, simple to brake even with weak hand strength.

SHORT DISTANCE TO PARK-POSITION
Reduces risk of losing balance.

V-SHAPED BRAKE STOPPER

Provides direct effect on non-slip brakes.

L-SHAPED CABLE GROOVE

Easy to install cables with split ends.

FIVE YEAR WARRANTY ON BRAKES

Reinforced with cable housing, stainless steel brake stopper.

LONG SOFT HANDLE

Can be rotated and adjusted to suit the specific and individual needs of the user. Available in left or right handed versions.

FLIP-UP, FOLDABLE SEAT

Gives the user the room to stride out. Makes it easier to reach and access items on worktops. Provides maximum stability and space within the walker frame for people with poor balance.

SAFE WHEN FOLDING

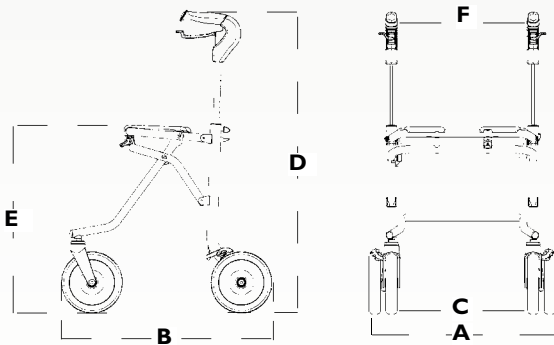
Easy to understand and use the folding mechanism. The walker can be folded into a compact transport position. It is easy to handle as it remains locked in the folded position.

EFFICIENT WHEELS

SLII- wheels with frictional surface that produces direct braking effect, even on shiny floors. Rolls easily and comfortably.

ACCESSORIES

Choose from the accessories suited for the particular walker which you have selected to use as an **DOLOMITE HP** walker - see overleaf for details. We particularly recommend use of slow-down brakes in combination with HP-handle. With the assistance of slow-down brakes, the stronger side is able to compensate with greater resistance and thus achieve a more even gait.



WEIGHT & DIMENSIONS CM/KG

TECHNICAL DATA:

WALKER MODEL	PRODUCT CODE	OVERALL WIDTH (A)	OVERALL LENGTH (B)	BETWEEN WHEELS (C)	HANDLE (D) MIN	HANDLE (D) MAX	SEAT HEIGHT (E)	BETWEEN HANDLES (F)	WEIGHT	MAX USER WEIGHT
MAXI 550	12191	69.0 cm	65.0 cm	53.0 cm	71.0 cm	88.0 cm	55.0 cm	47.0 cm	9.1 Kg	160 Kg
MAXI 650	12190	69.0 cm	74.0 cm	53.0 cm	79.0 cm	97.0 cm	65.0 cm	47.0 cm	9.6 Kg	160 Kg

DOLOMITE HP 1261 IRL See Dolomite Futura or Symphony depending on choice for walker base.



Nordic Care Services Ltd

Becket Lodge, Harbledown Park, Canterbury, Kent CT2 8NR

Tel: +44 (0) 1227 479293 Fax: +44 (0) 1227 477958

Email: info@walkeze.co.uk Web: www.walkeze.co.uk

LoCall: 08450-NORDIC LoCall: 08450-667342

