

DOLOMITE MELODY

THE WALKER THAT COMES WITH A FIVE YEAR GUARANTEE



STANDS IN FOLDED POSITION

EASILY OPERATED BRAKES

WIRELESS, INTEGRATED BRAKES
No brake wire to get caught up.
SHORT DISTANCE TO PARKED POSITION
Reduces the risk of the user losing balance.

INBUILT BRAKE BOOSTER
Provides extra braking force for weak hands and is easy to locate.

SIMPLE ADJUSTMENT OF BRAKING EFFECT
RUSTPROOF
For increased durability.

EFFICIENT WHEELS
SLII- wheels with frictional surface that produces direct braking effect, even on shiny floors. Rolls easily and comfortably.

* Dolomite Melody and Soprano are supplied complete with basket and back strap as standard.

LOW TOTAL WEIGHT

Thanks to a simple, neat design the total weight is only 7.0–7.5 kilos/15.6–16.4 lbs depending on the model height.

HANDLES FOR ALL SIZES OF HAND

Wedge-shaped, ergonomic handles. Provides a comfortable hand position for both large and small hands.

DISTINCT BRAKE LEVER

Follows the natural closure of the hand. The projecting part makes it easy for the user to find the lever.

SIMPLE, STEP-LESS ADJUSTABLE HANDLE

Easily adjusted handle that can be positioned at exactly the right height and/or angle.

FOLDABLE SEAT

Gives the user the room to stride out. Makes it easier to reach and access items on worktops.

SAFE WHEN FOLDING

Easy to understand and use the folding mechanism. The walker can be folded into a compact transport position. It is easy to handle as it remains locked in the folded position.

AMPLE SPACE FOR WALKING AND SITTING

Makes it easy to move around and also have the room to stride out.

ACCESSORIES

for the Dolomite Melody and Dolomite Soprano
for technical data / specification please see overleaf



1



2

1. Basket – Practical basket with a fine mesh that even holds small items. Max. load: 10 kg.
Standard basket: Product Code: 12541, fits -L/M
Small basket: Product Code: 12542, fits -S

2. Tray – made of impact-resistant plastic. Four stable feet. that locate into the walkers seat.
Product Code: 70311



3



4

3. Back strap – a comfortable and safe support to lean against. Mounted on the handlebars and therefore follows the height adjustment.
Product Code: 12629 fits -S - Product Code: 12628 -M/L

4. Cane holder – makes the holder easily accessible without getting in the way.
Product Code: 12606

MELODY - S



MELODY - M



MELODY - L



DOLOMITE SOPRANO

THE LARGE-WHEELED, ROBUST WALKER

EASILY OPERATED BRAKES

WIRELESS, INTEGRATED BRAKES

No brake wire to get caught up.

SHORT DISTANCE TO PARKED POSITION

Reduces the risk of the user losing balance.

INBUILT BRAKE BOOSTER

Provides extra braking force for weak hands and is easy to locate.

SIMPLE ADJUSTMENT OF BRAKING EFFECT

RUSTPROOF

For increased durability.

EASY TO TURN FRONT FORKS

Lightweight metal and bearings make the forks easy to turn.



STANDS IN FOLDED POSITION



LOW TOTAL WEIGHT

Clean, neat design gives a low total weight of only 9.8 kilos.

HANDLES FOR ALL SIZES OF HAND

Wedge-shaped, ergonomic handles. Provides a comfortable hand position for both large and small hands.

DISTINCT BRAKE LEVER

Follows the natural grip of the hand. The projecting part makes it easy for the user to find the lever.

FLIP-UP, FOLDABLE SEAT

Gives the user the room to stride out. Makes it easier to reach and access items on worktops.

SAFE WHEN FOLDING

Easy to understand and use the folding mechanism. The walker can be folded into a compact transport position. It is easy to handle as it remains locked in the folded position.

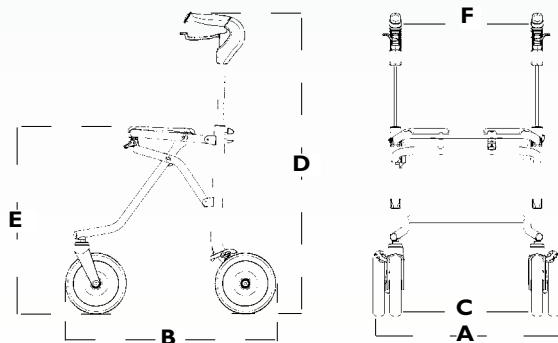
LARGE LOAD SPACE

AMPLE SPACE FOR WALKING & SITTING

LARGE WHEELS

Easy to manoeuvre thanks to large, light and solid wheels. Clean and simple design. Easy to keep clean.

WEIGHT & DIMENSIONS CM/KG



MORE COMFORTABLE GRIP

All the DOLOMITE walkers have ergonomic handles that are more comfortable for the hand. Pain and numbness in the hands is thereby reduced.



All of DOLOMITE's walkers have a high position for the folding mechanism – to reduce the risk of the user losing balance when collapsing the walker.



FOR A FULL RANGE OF ACCESSORIES
PLEASE SEE OVERLEAF

TECHNICAL DATA:

WALKER MODEL	PRODUCT CODE	OVERALL WIDTH (A)	OVERALL LENGTH (B)	BETWEEN WHEELS (C)	HANDLE (D) MIN	HANDLE (D) MAX	SEAT HEIGHT (E)	BETWEEN HANDLES (F)	WEIGHT	MAX USER WEIGHT
MELODY - S	12014	55.0 cm	63.5 cm	47.0 cm	66.0 cm	81.0 cm	48.0 cm	36.0 cm	7.0 Kg	135 Kg
MELODY - M	12012	61.5 cm	65.5 cm	53.5 cm	70.5 cm	90.5 cm	53.0 cm	42.5 cm	7.2 Kg	135 Kg
MELODY - L	12010	61.5 cm	69.5 cm	54.0 cm	78.5 cm	98.5 cm	61.0 cm	43.0 cm	7.4 Kg	135 Kg
SOPRANO	12030	65.0 cm	76.5 cm	55.0 cm	78.0 cm	98.0 cm	61.5 cm	45.0 cm	9.8Kg	160 Kg



Nordic Care Services Ltd

Becket Lodge, Harbledown Park, Canterbury, Kent CT2 8NR

Tel: +44 (0) 1227 479293 Fax: +44 (0) 1227 477958

Email: info@walkeze.co.uk Web: www.walkeze.co.uk

LoCall: 08450-NORDIC LoCall: 08450-667342

