



Clean mobile shower chairs

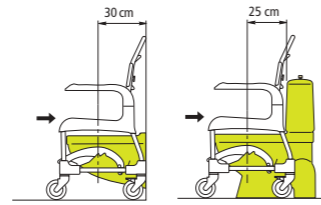
The Clean is the new generation of shower/toilet chair – comfortable, secure and easy to use. Every detail on the chair is designed to make the situation easier for both users and carers. Clean has neither welding seams nor holes, thus reducing the risk of corrosion. This makes Clean very durable.

For users who can propel themselves we have a Clean model with 24" rear wheels.

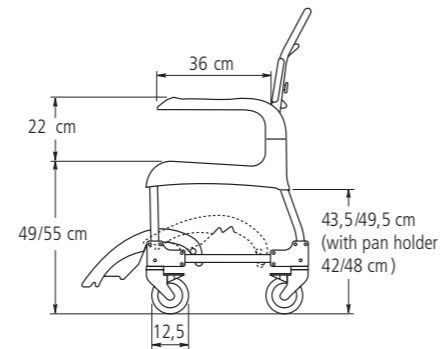
Easier transfers with Clean

The seat is fully open to the rear instead of the front. This facilitates the accessibility for intimate hygiene, for both carer and user.

The armrests can be taken off or swung away, and the footrest slides in easily underneath the seat. This all makes transfers easier and safer. There are many accessories to choose from for Clean.



The Clean fits both floor-mounted and wall-mounted toilets.



Other dimensions: Total width: 52 cm
Width between armrests: 43,5 cm
Seat width: 48 cm

Description	Item no.
Clean 49 cm, 4 lockable castors	8020 9210
Clean 49 cm, 4 lockable castors, 2-pack	8020 9220
Clean 49 cm, 2 lockable castors	8020 9213
Clean 49 cm, 2 lockable castors, 2-pack	8020 9223
Clean 55 cm, 4 lockable castors	8020 9211
Clean 55 cm, 4 lockable castors, 2-pack	8020 9221
Clean 55 cm, 2 lockable castors	8020 9214
Clean 55 cm, 2 lockable castors, 2-pack	8020 9224
Clean 60 cm, 2 lockable castors	8020 9215

Material: Chassis: powder-painted steel tubing
Seat/backrest: polypropylene
Armrests: polypropylene
Footrest: polypropylene
Castor brackets: polyamide
Castors, lockable, mounted in ball bearings: polyamide/TPE

Weight: 14 kg
Care: Regular cleaning plus inspection of wheels
Design: A&E Design AB



reddot

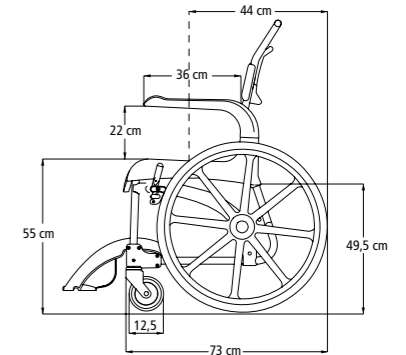


Clean the product with a solvent-free detergent which has a pH of 5-9, or with a 70% disinfectant solution. Can be decontaminated at max. 85°C if so required.

Clean 24" – Easy to manoeuvre

The Clean 24" is a well-balanced shower chair that is easy to manoeuvre. The 24" rear wheels permit the user to propel the chair, and they leave plenty of space in front of them for safe side transfers. The brake handles are easily accessible and move under the seat edge when applied. This facilitates side-ways transfers also in the Clean 24".

With a rear wheel adapter, the regular Clean with a 55 cm seat height can be changed into a Clean 24". There are many accessories to choose from also for Clean 24".



Other dimensions: Total width: 69 cm
Width between armrests: 43,5 cm
Seat width: 48 cm

Description	Item no.
Clean 55 cm with 24" rear wheels	8020 9216

Material: Chassis: powder-painted steel tubing
Seat/backrest: polypropylene
Armrests: polypropylene
Footrest: polypropylene
Castor brackets: polyamide
Swivel castors, mounted in ball bearings: polyamide/TPE
Rear wheels: polyamide, mounted in ball bearings

Weight: 20 kg
Care: Regular cleaning plus inspection of wheels
Design: A&E Design AB



reddot



Clean the product with a solvent-free detergent which has a pH of 5-9, or with a 70% disinfectant solution. Can be decontaminated at max. 85°C if so required.

Accessories



Pan
Item no. 8020 9230
Lid with handle
Item no. 8020 9232
Pan incl. lid with handle
Item no. 8020 9231
 Material: Polyamide



Pan holder
Item no. 8020 9233
 Fits both Clean pans and regular hospital pans.

Bucket holder
Item no. 8020 9234

Fits bucket with higher edges.
 Material: Polypropene



Attachment for low mounting of pan/bucket
Item no. 8020 9235

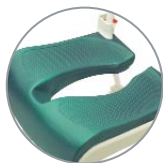
Fitted to the pan/bucket holder.
 Material: Polypropene



Soft seat
Item no. 8020 9236

Heat-reflecting soft seat with good anti-slip properties even when wet.

Recess width: 20 cm
 Material: Cellular polyethylene



Cushion, Form
Item no. 8020 9244

Anatomically shaped cushion with large seat area which provides seating stability. Heat-reflecting and with good anti-slip properties even when wet.

Recess width: 15 cm
 Material: Cellular polyethylene



Cushion, Protect
Item no. 8020 9245

Air-inflated cushion with excellent pressure-relieving properties.

The air pressure is adjustable.
 Recess width: 21 cm
 Material: Neoprene



Soft back pad
Item no. 8020 9238

Heat-reflecting soft back pad which provides extra comfort for the user.
 Material: Cellular polyethylene



Cross bar
Item no. 8020 9239

For strain and seat support.
 Material: Aluminium, cellular polyethylene, polypropylene



Safety belt
Item no. 8020 9034

Attached to the back of the backrest.
 Material: Polyester



Heightening spacers
Item no. 8020 9243

Raise the seat by five centimetres to fit over high toilets. Provide free height of 54 cm from the seat down. Do not fit Clean 24".
 Material: Aluminium



80 mm lockable castors, 2 pcs.
Item no. 8020 9240

Reduce seat height by five centimetres.
 Do not fit Clean 24".

80 mm non-lockable castors, 2 pcs.
Item no. 8020 9241

Reduce seat height by five centimetres.
 Do not fit Clean 24".

Material: Stainless steel, mounted in ball bearing



Rear wheel adapter
Item no. 8020 9242

Complete kit to change a Clean with 55 cm seating height into a Clean 24" rear wheels.
 Material: Aluminium, polyamide