



Mobil Tipp shower chair

The Mobil Tipp is a tiltable shower chair which can be used by people weighing up to 130 kg. This chair can be tilted from 5° forwards to 30° backwards. Tilting the seat forwards facilitates getting into and out of the chair, while tilting it backwards means that less steady users can sit safely and relax. Being able to tilt the seat also makes hair washing and toothcare easier, as well as making it easier to move the user with a hoist.

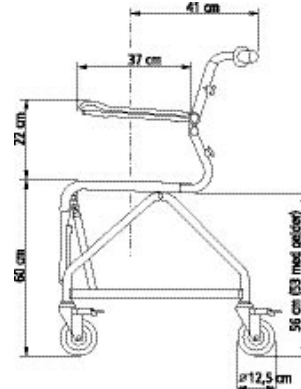
Available in two variants

This chair can be tilted from 5° forwards to 30° backwards. Tilting the seat forwards facilitates getting into and out of the chair, while tilting it backwards means that users with reduced stability can sit safely and relax. Being able to tilt the seat also makes washing hair and brushing teeth easier, as well as making it easier to transfer the user with a hoist. The

Mobil Tipp is available with gas piston control or with a motor for the tilt function. There is a range of accessories to choose from, to customise the chair to suit each individual user.



Mobil Tipp with motor



Other dimensions: Total width: 64 cm
Width between armrests: 44.5 cm
Seat width: 48 cm

Description	Item no.
Mobil Tipp with motor	8020 9003
Mobil Tipp with gas piston	8020 9017

Material: Chassis: powder-painted steel tubing
Seat/armrests: polypropylene
Backrest/cushion: polyester/polyurethane
Footrest bracket: aluminium castors, lockable, mounted in ball bearings: polyamide/TPE

Electric supply*: 24 V sealed lead battery. Able to withstand frequent charging. Moistureproofed in accordance with IP65

Weight: 17 kg (with motor 23 kg)

Care: Regular cleaning and checking of castors, brakes and tilt function.

Design: A&E Design AB

*Mobil Tipp with motor only.



Mobil Tipp with gas piston



Clean the product with a solvent-free detergent which has a pH of 5–9, or with a 70% disinfectant solution. Can be decontaminated at max. 85°C if so required.

Accessories



Footrests, pair
Item no. 8020 9022

Removable and height-adjustable, can also be folded up. Min-max height from seat: 38-48 cm.
Material, footrests: polypropylene



Footrests, lockable, pair
Item no. 8020 9050

These footrests can be folded up. Fitted at the required height. Min-max height from seat: 31-39 cm.
Material, footrests: polypropylene



Leg and calf support
Item no. 8020 9021

Removable, adjustable in angle and height. Fits both right and left side.
Material, calf support: ABS plastic



Motor kit
Item no. 8020 9051

For replacing the gas piston with motor-driven tilting. Complete with charger and battery.



Pan
Item no. 8020 9031

Designed for a perfect fit with seats with recess.
Material: ABS plastic



Pan holder
Item no. 8020 9040

For mounting the pan which sits closely beneath the seat.
Material: powder-painted steel tubing



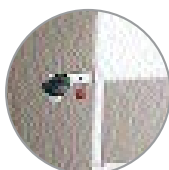
Pan holder, low
Item no. 8020 9055

For low mounting of the pan which sits approx. 5 cm beneath the seat.
Material: powder-painted steel tubing



Pan locker
Item no. 8020 9049

Holds the pan in place when the shower chair is tilted.



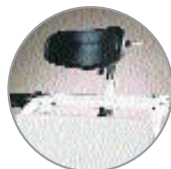
Widening kit
Item no. 8020 9053

Increases the width between the armrests by 10 cm. Does not affect the overall width of the shower chair.



Hemiplegia armrest
Item no. 8020 9035

Relieves strain on the paralysed arm. Fits both the right and the left side.
Material, padding: Cellular polyethylene



Headrest, Variant
Item no. 8020 9070

Adjustable height, angle, depth and sideways.
Material, headrest cushion: polyurethane



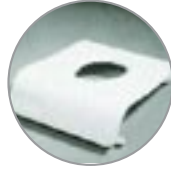
Headrest
Item no. 8020 9018

Adjustable in height and angle.
Material, headrest cushion: polyurethane



Soft seat with standard opening
Item no. 8020 9033

Heat-reflecting and soft, with recess for intimate hygiene.
Material: Cellular polyethylene



Soft seat with oval opening
Item no. 8020 9039

Heat-reflecting and soft, without recess for intimate hygiene.
Material: Cellular polyethylene



Soft cushion with standard opening
Item no. 8020 9065

To give an extra soft seat.
Material: polyether / PVC



Soft cushion with oval opening
Item no. 8020 9067

To give an extra soft seat, without slot for intimate hygiene, fits various seats.
Material: polyether/PVC



Lower back support
Item no. 8020 9029

Adjustable in length.



Safety belt
Item no. 8020 9034

Can be fitted horizontally or diagonally. Length can easily be adjusted.
Material: polyester



Crossbar, 60.5 cm
Item no. 8030 3034

For support when sitting or bearing down.
Material: powder-painted aluminium profile/cellular polyethylene



Pan, round
Item no. 8200 1001

An all-round plastic pan to fit the pan holder. Able to withstand boiling.
Material: polypropylene

Variants

There are a number of different seats and backrests for the Mobil Tipp. Each model is available in a standard version. Here are all the options you have for varying the basic model. In addition, the Mobil Tipp can be supplemented with a range of accessories.

Standard model



Mobil Tipp with gas piston

Backrest with cushion, adjustable in length.
Height: 19 cm
Material: polyester/polyurethane
Seat: With standard opening
Recess width: 22.5 cm
Material: polypropylene



Mobil tipp with motor

Backrest with cushion, adjustable in length.
Height: 19 cm
Material: polyester/polyurethane
Seat: With standard opening
Recess width: 22.5 cm
Material: polypropylene

These products can also be ordered as accessories.

Seats



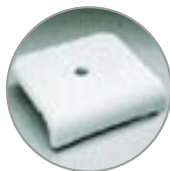
Seat with smaller opening Item no. 8020 9024

Increases the seat area but still permits easy access.
Recess width: 20.5 cm
Material: ABS plastic



Seat with oval opening Item no. 8020 9037

Toilet opening without recess for intimate hygiene.
Width of opening: 15.5 cm
Material: ABS plastic



Shower seat Item no. 8020 9023

Small hole for water runoff.
Material: ABS plastic



Comfort seat Item no. 8020 9052

Soft, easy-care seat with a large seat area, raises the seat by 4 cm.
Recess width: 16.5 cm
Material: polyurethane

Back rest



Backrest without cushion Item no. 8020 9032

Soft back strap, adjustable in length.
Height: 18 cm
Material: polyester