



Mobilette shower and toilet chair

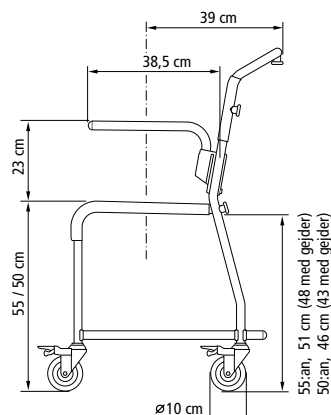
The Mobilette combines roominess with small outer dimensions. It is excellent for use in a home environment as its narrow overall width makes it easy to manoeuvre and turn even in cramped bathrooms.

Backrest which moulds itself to the shape of the user

The soft backrest on the Mobilette moulds itself to the shape of the user's back while also providing superb stability. The armrests can be taken off or swung to the side. The large range of accessories available allows you to customise the Mobilette to suit the needs of each individual user.



- Material:** Chassis/armrests: Powder-coated tubular steel
 Seat: Polypropylene
 Backrest/cushion: Polyester/polyurethane
 Footrest bracket: aluminium
 Castors, lockable, mounted in ball bearings:
 Galvanised steel/rubber
- Weight:** 13,5 kg
- Care:** Regular cleaning and checking of castor and brake function.
- Design:** A&E Design AB



| Description | Item no. |
|-----------------|-----------|
| Mobilette 50 cm | 8020 9016 |
| Mobilette 55 cm | 8020 9014 |

Other dimensions: Total width: 50 cm
 Width between armrests: 41.5 cm
 Seat width: 48 cm

Accessories



Soft pad with standard recess
Item no. 8020 9033
 Heat-reflecting, with recess for intimate hygiene.
 Material: Cellular polyethylene



Soft cushion with standard recess
Item no. 8020 9065
 To give an extra soft seat.
 Material: Polyether / Coated fabric



Soft pad with oval opening
Item no. 8020 9039
 Heat-reflecting, without recess for intimate hygiene.
 Material: Cellular polyethylene



Soft cushion with oval opening
Item no. 8020 9067
 To give an extra soft seat, without recess for intimate hygiene, fits various seats.
 Material: Polyether/Coated fabric

Accessories



Pan

Item no. 8020 9031

Designed for a perfect fit with seats with recess for intimate hygiene.
Material: ABS plastic



Pan, round

Item no. 8200 1001

An all-round plastic pan to fit the pan holder.
Able to withstand boiling.
Material: Polypropylene



Pan holder, low

Item no. 8020 9055

For low pan fitting. The pan sits approx. 5 cm beneath the seat.
Material: Powder-coated tubular steel



Pan locker

Item no. 8020 9049

Holds the pan in position.



Pan holder

Item no. 8020 9040

For fitting of the pan which sits closely beneath the seat.
Material: Powder-coated tubular steel



Comfort armrests, pair

Item no. 8302 0001

Relieves strain on the arms and reduce the width between the armrests by 3.5 cm.
Material: Polypropylene



Armrest pads, pair

Item no. 8030 3037

Feel soft and warm against the skin.
Material: Cellular polyethylene



Hemiplegia armrest

Item no. 8020 9035

Relieves strain on the paralysed arm.
Fits for both the right and the left sides.
Material, padding: Cellular polyethylene



Safety belt

Item no. 8020 9034

Can be fitted horizontally or diagonally.
Adjustable in length.
Material: Polyester



Crossbar, 50 cm

Item no. 8030 3035

For strain and seat support.
Material: Powder-painted aluminium profile/cellular polyethylene



Blocks

Item no. 8020 9058

Raises the shower chair by 5 cm.
Do not fit shower chairs with propelling wheels.



Footrests, pair

Item no. 8020 9030

Removable and height-adjustable and can also be folded up. Min.-max. height from seat 28-34 cm.
Material: Polypropylene



Footrests, lockable, pair

Item no. 8020 9050

Fitted at required height, can be folded up. Min.-max. height from seat 31-39 cm.
Material: Polypropylene



Clean the product with a solvent-free detergent which has a pH of 5-9, or with a 70% disinfectant solution.
Can be decontaminated at max. 85 °C if so required.

Variants

The Mobilette comes in a standard version. There are however various seats and backrests available for varying the standard version. In addition, the Mobilette can be supplemented with a range of accessories.

Standard design

Backrest with cushion, adjustable length
 Height: 19 cm
 Material: Polyester/polyurethane
 Seat: With standard recess
 Width recess: 22.5 cm
 Material: Polypropylene



These products can also be ordered as accessories

Seats



Seat with smaller opening
Item no. 8020 9024
 Increases the seat area but still permits easy access.
 Width recess: 20.5 cm
 Material: ABS plastic



Seat with oval opening
Item no. 8020 9037
 Toilet opening without recess for intimate hygiene.
 Width opening: 15.5 cm
 Material: ABS plastic



Shower seat
Item no. 8020 9023
 Opening to allow water runoff only.
 Material: ABS plastic



Comfort seat
Item no. 8020 9052
 Soft, easy-care seat with a large seat area, raises the seat by 4 cm.
 Width recess: 16.5 cm
 Material: Polyurethane

Back support



Backstrap without cushion
Item no. 8020 9032
 Soft backrest, adjustable length.
 Height: 18 cm
 Material: Polyester