



Tripp tiltable shower and toilet chair

The Tripp is a tiltable shower and toilet chair for children, young people and slender adults. This chair provides safety and facilitates for both the user and the assisting carer when used in the shower or at the toilet.



Many possibilities

The Tripp can be tilted from horizontal to 30° backwards. Tilting the seat backwards means that users with reduced stability can sit safely and relax, as well as making it easier to transfer the user with a hoist. The armrests can be folded up and are lockable. Height-adjustable footrests, pan holder and splash guard are fitted as standard. The Tripp can be fitted with a headrest, safety belt, pan and various kinds of soft seats, to suit individual users.

Description
Tripp

Item no.
8020 9005

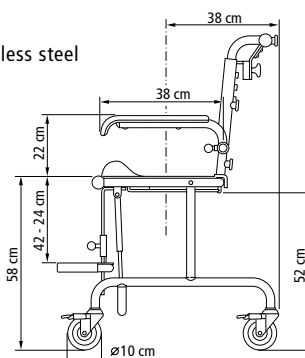
Material:
Chassis: Powder-painted steel tubing
Seat/backrest: ABS plastic
Armrests: Polyurethane
Footrests: Polypropylene
Armrest tubing and footrest bracket: Stainless steel
Castors, mounted in ball bearings,
2 lockable: Galvanised steel/rubber

Weight: 17 kg

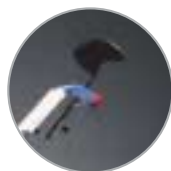
Care: Regular cleaning and checking of castor, brake and tilt function.

Design: Designkonsulterna

Other dimensions: Total width: 54,5 cm
Width between armrests: 36 cm
Seat width: 38 cm



Accessories



Headrest
Item no. 8020 9041
Height-adjustable.
Material, headrest cushion: Polyurethane



Pan
Item no. 8020 9031
Designed for a perfect fit with the seat.
Material: ABS plastic



Pan locker
Item no. 8020 9049
Holds the pan in place when the shower chair is tilted.



Crossbar, 50 cm
Item no. 8030 3035
For strain and seat support.
Material: Powder-painted aluminium profile/cellular polyethylene



Safety belt
Item no. 8020 9034
Can be fitted horizontally or diagonally.
Adjustable in length.
Material: Polyester



Soft pad
Item no. 8020 9047
Heat-reflecting with good anti-slip properties even when wet.
Material: Cellular polyethylene



Soft seat cushion
Item no. 8020 9066
Gives an extra soft seat.
Material: Polyether, PVC



Soft back pad
Item no. 8020 9046
Heat-reflecting.
Attached to the existing backrest.
Material: Cellular polyethylene



Back cushion
Item no. 8020 9034
Reduces the seat depth by 6 cm.
Material: Polyester/PVC



Clean the product with a solvent-free detergent which has a pH of 5-9, or with a 70% disinfectant solution.
Can be decontaminated at max. 85 °C if so required.

Etac AB
SE-164 51 Kista, Sweden

TELEPHONE CUSTOMER SERVICE +46-371-58 73 30 FAX CUSTOMER SERVICE +46-371-58 73 90
E-MAIL info@etac.se WEBSITE www.etac.com

etac®