



Clean wheeled shower/commode chairs

Clean is the new generation of wheeled shower/commode chairs – comfortable, secure and easy to use. Every detail of the chair is designed to make the situation easier for both users and carers. Clean has neither welding seams nor holes, thus reducing the risk of corrosion. This makes Clean very durable.

For users who can propel themselves we have a Clean model with 24" rear wheels. Clean is available in green or grey.

Easier transfers with Clean

Transfers are made easier with Clean. The armrests can be taken off or swung away, and the footrest slides in easily underneath the seat. This makes transfers both easier and safer.

The seat is fully open to the rear instead of the front. This facilitates accessibility for intimate hygiene, for both carer and user.

Clean 24" – Easy to manoeuvre

Clean 24" is a well-balanced shower chair that is easy to manoeuvre. The 24" rear wheels permit the user to propel the chair, and they leave plenty of space in front of them for safe side transfers. The brake handles are easily accessible and move under the seat edge when applied. This means side transfers are also made easy with the Clean 24".

With a rear wheel adapter, the regular Clean of 55 cm (21¾") seat height can be changed into a Clean 24".

Both models are available in grey or green, and there are many accessories to choose from.



Clean in grey colour.



Clean in green.



red dot



Clean has received the design awards Red Dot and Excellent Swedish Design.

Accessories



Pan
Green 8020 9230
Grey 8020 9254

Lid with handle
Green 8020 9232
Grey 8020 9256

Pan incl. lid with handle
Green 8020 9231
Grey 8020 9255

Material: Polyamide



Pan holder
Green 8020 9233
Grey 8020 9257
Fits both Clean pans and regular hospital pans.

Bucket holder
Green 8020 9234
Grey 8020 9258
Fits bucket with higher edges.

Material: Polypropene



Attachment for low mounting of pan/bucket
Green 8020 9235
Grey 8020 9259
Fitted to the pan/bucket holder.

Material: Polypropene



Soft seat
Green 8020 9236
Grey 8020 9260
Heat-reflecting soft seat with good anti-slip properties even when wet.
Recess width: 20 cm (7¾")

Material: Cellular polyethylene



Cushion, Protect 8020 9245
Air filled cushion with excellent pressure-relieving properties.
The air pressure is adjustable.
Recess width: 21 cm (8¼")

Material: Neoprene



Comfort pad 8020 9248
A comfortable, hygienic seat pad which makes the hole a little smaller. Easy to keep clean.

Recess width: 18 cm (7")
Material: Polyurethane



Seat cover 8020 9247
For when a complete seat is required. Easy to keep clean.

Material: Polyurethane



Soft back pad
Green 8020 9238
Grey 8020 9261

Heat-reflecting soft back pad which provides extra comfort for the user.

Material: Cellular polyethylene



Soap dish
Green 8170 1140
Grey 8020 9266

Attached to the side of the chair. Keeps the soap within convenient reach. Built-in holder for the shower handle.



Cross bar 8020 9246

For increased security and strain support.

Material: Aluminium, cellular polyethylene, polypropylene



Safety belt 8020 9034

Attached to the rear of the backrest.

Material: Polyester



Heightening spacers 8020 9243

Raise the seat by five centimetres to fit over high toilets, creating a height of 54 cm (21x") from floor to seat. Mounted on Clean 60 cm (23½"). Do not fit Clean with 24" rear wheels.

Material: Aluminium



80 mm lockable castors, 2 pcs. 8020 9240

Reduce seat height by 5 cm (2"). Mounted on Clean 44 cm. Not compatible with Clean 24" rear wheels.

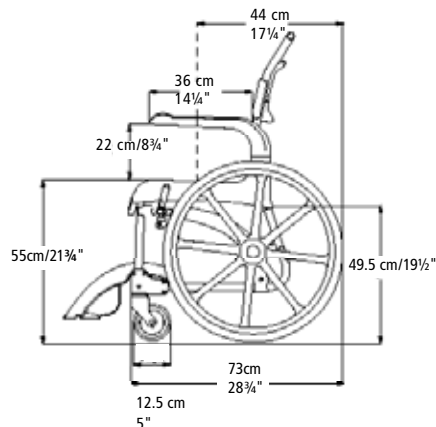
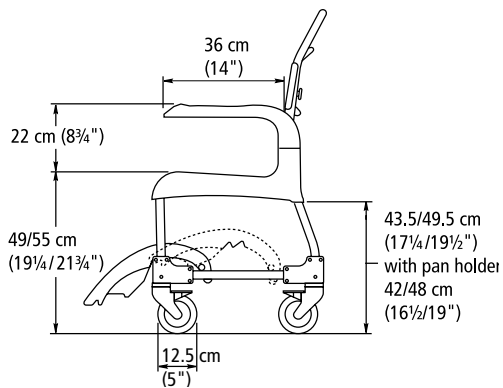
Material: polyamide/TPE



Rear wheel adapter 8020 9242

Only fits Clean with a seat height of 55 cm (21¾").

Material: Aluminium, polyamide



Other dimensions Total width Clean: 52 cm (20 1/2")
 Total width, Clean 24" rear wheels: 69 cm (27 1/4")
 Width between armrests: 43.5 cm (17 1/4")
 Seat width: 48 cm (19")

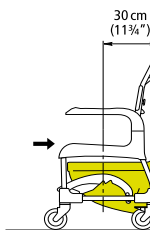
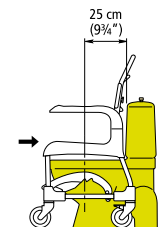
Material Chassis: powder-painted steel tubing
 Seat/backrest: polypropylene
 Armrests: polypropylene
 Footrest: polypropylene
 Castor brackets: polyamide
 Swivel castors, mounted in ball bearings: polyamide/TPE
 Rear wheels: polyamide, mounted in ball bearings

Max. user weight 130kg (287 lbs)

Weight Clean: 14 kg (30.9 lbs)
 Clean w 24" rear wheels: 20 kg (44.1 lbs)

Care Regular cleaning plus inspection of wheels

Design A&E Design



Clean fits both floor and wall mounted toilets.

Description	Item no.	
	Green	Grey
Clean 44 cm (17 1/4"), 4 lockable castors	8020 9209	8020 9269
Clean 49 cm (19 1/4"), 4 lockable castors	8020 9210	8020 9270
Clean 49 cm (19 1/4"), 2 lockable castors	8020 9213	8020 9273
Clean 49 cm (19 1/4"), 4 lockable castors, double box	8020 9220	n/a
Clean 49 cm (19 1/4"), 2 lockable castors, double box	8020 9223	n/a
Clean 55 cm (21 3/4"), 4 lockable castors	8020 9211	8020 9271
Clean 55 cm (21 3/4"), 2 lockable castors	8020 9214	8020 9274
Clean 55 cm (21 3/4"), 4 lockable castors, double box	8020 9221	n/a
Clean 55 cm (21 3/4"), 2 lockable castors, double box	8020 9224	n/a
Clean 55 cm/21 3/4" with 24" rear wheels	8020 9216	8020 9276
Clean 60 cm (23 1/2"), 2 lockable castors incl heightening spacers	8020 9215	8020 9275



Clean the product with a solvent-free detergent which has a pH of 6–9, or with a 70 % disinfectant solution. Can be decontaminated at max. 85 °C (185 °F) if so required.