



## Clean wheeled shower/commode chair, height adjustable

Clean height adjustable is our latest addition to the Clean family. The height can be adjusted to fit perfectly over the toilet, or to simplify transfers as an example. Every detail of the chair is designed to make showering and using the toilet easier from the perspective of both user and carer.

### Easy height adjustment

The seat height of Clean is adjustable between 47.5–60 cm (18¾"–23½"), in 2.5 cm (1") increments. In the highest position Clean will fit over a 54.5 cm (21") high toilet. The height is easily adjusted by hand without the need for any tools.

### Easy to handle

Clean is easy to handle and turns in narrow spaces. The seat design gives good accessibility and facilitates the intimate hygiene. Furthermore, Clean height adjustable will fit over most toilets, both wall and floor mounted, regardless of the height.

### Easy transfers

The armrests are removable and can also be swung sideways for easy side transfers. The footplate can easily be pushed in under the seat which simplifies both side and front transfers.

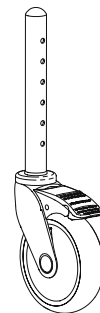
### Safe and comfortable

Since the footplate always stays on the chair, the user will never risk being seated without feet support. Another safety feature is the side protection of the footplate, which shelter the heels from the front castors.

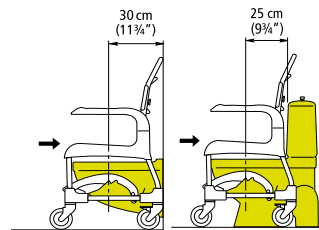
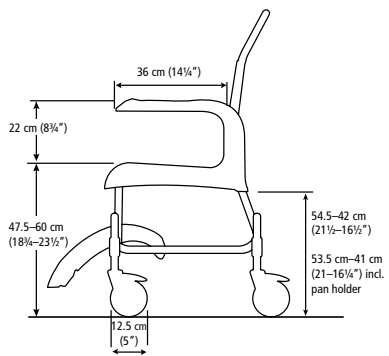
For extra comfort and safety there are several accessories available.



<b>Description</b>	<b>Item no.</b>
Clean height adjustable	8020 9208
<b>Material</b>	Chassis: Powder coated steel tubing Seat/Back support: Polypropylene Armrest: Polypropylene Foot plate: Polypropylene Wheels, lockable castors, bearings: Polyamide/TPE/Rust free tubing
<b>Weight</b>	14.2 kg (31.3 lbs)
<b>Max user weight</b>	130 kg (287 lbs)
<b>Maintenance</b>	Regular cleaning as well as inspection of the castors



The Clean is height adjustable in 2.5 cm (1") increments.



**Other dimensions:** Total width: 55 cm (21 3/4")  
 Width between the armrests: 43.5 cm (17 1/4")  
 Seat width: 48 cm (19")

Clean is suitable for both floor and wall mounted toilets.



Clean the product with a solvent-free cleaning agent with a pH level between 6–9, or with a 70% disinfectant solution. Can be decontaminated at max. 85°C (185°F) if so required.

# Accessories



**Pan**  
Item no. 8020 9254

**Pan including lid with handle**  
Item no. 8020 9255

**Lid with handle**  
Item no. 8020 9256  
Material: Polyamide



**Pan holder**  
Item no. 8020 9257

Suitable for both the Clean pan and regular hospital pans

**Bucket holder**  
Item no. 8020 9258

Fits bucket with higher edges.  
Material: Polypropylene



**Attachment for low mounting**  
Item no. 8020 9259

To be mounted on the pan or the bucket holder.  
Material: Polypropylene



**Soft pad**  
Item no. 8020 9260

Heat reflecting soft seat with good anti-slip properties, even when wet.  
Recess width: 20 cm (7¾")  
Material: Closed cell polyethylene



**Comfort pad**  
Item no. 8020 9248

Recess width 18 cm (7")  
Material: Polyurethane



**Seat cushion Protect**  
Item no. 8020 9245

Air filled cushion with excellent pressure relieving properties. The air pressure is adjustable and the cushion is adapted to fit the Clean seat.

Recess width: 21 cm (8¼")  
Material: Neoprene



**Seat cover**  
Item no. 8020 9247

For when a complete seat is required.  
Material: Polyurethane



**Soft back pad**  
Item no. 8020 9261

Heat reflecting soft back pad.  
Material: Closed cell polyethylene



**Soap dish**  
Item no. 8020 9266

To be attached to the side of the seat.  
With recess for the shower handle.



**Cross bar**  
Item no. 8020 9246

For increased security and strain support.  
Material: Aluminium, closed cell polyethylene, polypropylene



**Safety belt**  
Item no. 8020 9034

To be attached to at the rear of the back rest.  
Material: Polyester



**Angle adjustable legrest**  
Item no. 8020 9252 (right)  
Item no. 8020 9253 (left)

Attachments included.  
Material legsupport: ABS plastic



**Folding footrest, pair**  
Item no. 8020 9250

Removable, adjustable height.  
Attachments included.  
Material footplate: Polypropylene